

PENTA V9 BATTERY WIRELESS

QUICK USER MANUAL
RASHA PROFESSIONAL A/S



Edition Notes

The **Penta V9 Battery Wireless**, User Manual Rev. 1 covers the description, safety precautions, installation, programming, operation, and maintenance of the **Penta V9 Battery Wireless**. Rasha released this edition of the **Penta V9 Battery Wireless** User Manual in July 2016.

Trademarks

Rasha® is a registered trademark of RASHA PROFESSIONAL A/S. (d/b/a RASHA® or Rasha). The RASHA® logo in its entirety including the RASHA® name and the Globe with Rings, and all other trademarks in this manual pertaining to services, products, or marketing statements are owned or licensed by RASHA®. Any other product names, logos, brands, company names, and other trademarks featured or referred to within this document are the property of their respective trademark holders.

Copyright Notice

RASHA owns the content of this User Manual in its entirety, including but not limited to pictures, logos, trademarks, and resources. © Copyright 2015 RASHA. All rights reserved. Electronically published by Rasha in the United States of America.

Manual Use

Rasha authorizes its customers to download and print this manual for professional information purposes only. Rasha expressly prohibits the usage, copy, storage, distribution, modification, or printing of this manual or its content for any other purpose without written consent from Rasha.

Document Printing

For better results, print this document in color, on letter size paper (8.5 x 11 in), double-sided. If using A4 paper (210 x 297 mm), configure your printer to scale the content accordingly.

Intended Audience

Any person in charge of installing, operating, and/or maintaining this product should completely read through the guide that shipped with the product, as well as this manual, before installing, operating, or maintaining this product.

Document Revision

The **Penta V9 Battery Wireless** User Manual Rev. 1 supersedes all previous versions of this manual. Discard any older versions of this manual and replace with this version. Go to www.rashaprofessional.com for the latest version.

Author	Date	Editor	Date
Robert Becerra	11/3/2016		

Table of Contents



RASHA Professional

1. Before You Begin.....	4	4. Operation.....	10
What Is Included	4	Control Panel Description	10
Claims	4	Menu Map	11
Manual Conventions	4	Menu Intro	11
Symbols	4	Operations.....	12
Safety Notes.....	5	Parameter Value Settings	12
Personal Safety.....	5	Submenu.....	12
Mounting And Rigging	5		
Power And Wiring.....	5	5. DMX Channels	13
Operation	5	Channel 6.....	13
		Channel 11	14
2. Introduction.....	7	6. Technical Specifications.....	16
Description	7	Returns	17
Features	7	Contact Us	18
Overview	7		
Dimensions	7		
3. Setup.....	8		
AC Power	8		
AC Plug	8		
Fuse Replacement.....	8		
Power Linking.....	8		
DMX Linking.....	8		
DMX Personalities.....	8		
Mounting	9		
Orientation.....	9		
Rigging	9		
Procedure.....	9		

What Is Included

- Rasha **Penta V9 Battery Wireless**
- Power Cord (IEC to Edison)
- DMX Cable 3 Pin
- Quick reference guide

Claims

Carefully unpack the product immediately and check the box to make sure all the parts are in the package are in good condition. If the box or the contents (the product and included accessories) appear damaged from shipping or show signs of mishandling, notify the carrier immediately, not Rasha. Failure to report damage to the carrier immediately may Void your claim. In addition, keep the box and contents for inspection.

For other issues, such as missing components or parts, damage not related to shipping, or concealed damage, file a claim with Rasha within 7 days of delivery.

Manual Conventions

Convention	Meaning
1-512	DMX value range in number
50/60	A set of mutually exclusive values in the text
<SET>	A button on the product's control panel
Settings	A product function or a menu option
0-512	A sequence of menu options
1-10	A range of menu values from which to choose in a menu
Yes/No	A set of two mutually exclusive menu options in a menu
ON	A unique value to be entered or selected in a menu

Symbols

Symbols	Meaning

The term “DMX” used throughout this manual refers to the DMX512 digital data transmission protocol

Safety Notes

Read all the following Safety Notes before working with this product. These notes include important information about the installation, usage, and maintenance of this product. This product contains no user-serviceable parts. Any reference to servicing in this User Manual will only apply to properly trained Rasha certified technicians. Do not open the housing or attempt any repairs. All applicable local codes and regulations apply to proper installation of this product.

Personal Safety

Avoid direct eye exposure to the light source while the product is on. Always disconnect this product from its power source before servicing. Always connect this product to a grounded circuit to avoid the risk of electrocution. Do not touch this product's housing during operation because it may be very hot.

Rigging

This product is for indoor use only! To prevent risk of fire or shock, do not expose this product to rain or moisture. (IP20) CAUTION: When transferring product from extreme temperature environments, (e.g. cold truck to warm humid ballroom) condensation may form on the internal electronics of the product. To avoid causing a failure, allow product to fully acclimate to the surrounding environment before connecting it to power. Mount this product in a location with adequate ventilation, at least 20 inches (50 cm) from adjacent surfaces. Make sure there are no flammable materials close to this product while it is operating. Always carry this product by the handles. Do not carry from the head. When hanging this product, always secure to a fastening device using a safety cable.

Power And Wiring

Always make sure you are connecting this product to the proper voltage in accordance with the specifications in this manual or on the product's specification label. Never connect this product to a dimmer pack or rheostat. Never disconnect this product by pulling or tugging on the power cable.

Operation

Do not operate this product if you see damage to the housing, lenses, or cables. Have the damaged parts replaced by an authorized technician at once. To eliminate unnecessary wear and improve its lifespan, during periods of non-use completely disconnect the product from power via breaker or by unplugging it. Do not cover the ventilation slots when operating to avoid internal overheating. Do not aim this product toward the Sun. The lenses could concentrate the solar energy and cause internal overheating. The maximum ambient temperature is 113 °F (45 °C). Do not operate this product at a higher temperature. In case of a serious operating problem, stop using this product immediately!

Use on Dimmer	Auto Programs
Outdoor Use	Auto-Ranging Power Supply
Sound-Activated	Replaceable Fuse
DMX	User-Serviceable
Master/Slave	

The term "DMX" used throughout this manual refers to the DMX512 digital data transmission protocol

INTRODUCTION



RASHA Professional

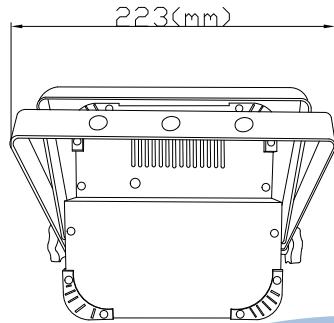
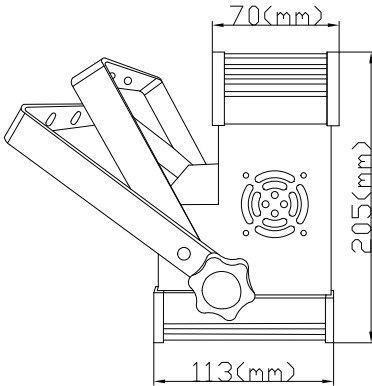
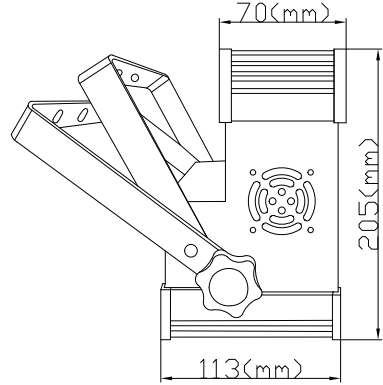
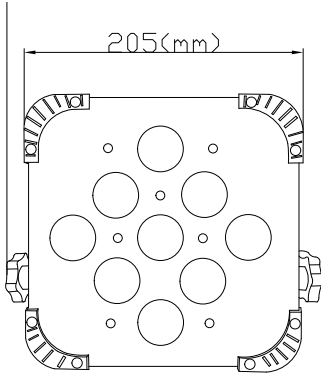
Features

- Built in Battery Power and DMX wireless
- Create rich colors and pastels with RGBAW color led chips
- Master/slave wirelessly linkable 2.4 GHz with other fixtures for a coordinated light show
- Create coordinated light shows by linking other fixtures in master/slave mode
- Set up and tear down in a fraction of the time by eliminating the need for DMX or power cables
- Convenient wireless control using 2.4GHz
- Wireless control of sectional, eye-catching chase effects via DMX
- Extend the battery life span with built-in discharge protection
- Access built-in, eye-catching automated and sound-active programs via wireless DMX or master/slave mode
- Enhance light shows with adjustable electronic strobe and dimmer effects
- Compact design easily fits inside sticks of truss or stand free.
- Custom color customization function

Description

Penta V9 Battery Wireless up light is designed for the mobile entertainer, eliminating the hassle of searching for electricity, running generator, battery backup and or cables. **Penta V9 Battery Wireless** it has built in rechargeable lithium-ion battery, 2.4 GHz wireless DMX receiver, static RED, GREEN, BLUE, AMBER and WHITE color, with the ability to custom mix color. **Penta V9 Battery Wireless** delivers stunning RGBAW colors and nearly eliminate multicolored shadows. User can set fixtures at any events, theater, bar, or any entertainment industry with the ability to control up to 20 Fixtures* by DMX wirelessly.

OVERVIEW



Power Supply

Each **Penta V9 Battery Wireless** has an auto-ranging power supply that works with an input voltage range of 100 to 240 VAC, 50/60 Hz. To determine the power requirements for each **Penta V9 Battery Wireless** refer to the label affixed to the product. You can also refer to the Technical Specifications chart in this manual. The listed current rating indicates the maximum current draw during normal operation. For more information, you may download Sizing Circuit Breakers from the Rasha website: www.rashaprofessional.com



Always connect this product to a protected circuit with an appropriate electrical ground to avoid the risk of electrocution or fire. To eliminate unnecessary wear and improve its lifespan, during periods of non-use completely disconnect the product from power via breaker or by unplugging it.



Never connect this product to a rheostat (variable resistor) or dimmer circuit, even if the rheostat or dimmer channel serves only as a 0 to 100% switch.

AC Plug

The **Penta V9 Battery Wireless** comes with a power input cord terminated with a Neutrik® powerCON® A connector on one end and an Edison plug on the other end (U.S. market). If the power input cord that came with your product has no plug, or if you need to change the Edison plug, use the table below to wire the new plug.

Connection	Wire (U.S.)	Wire (Europe)	Screw Color
AC Live	Black	Brown	Yellow or Brass
AC Neutral	White	Blue	Silver
AC Ground	Green/Yellow	Green/Yellow	Green

Fuse Replacement



1. Disconnect this product from the power outlet.
2. Using a flat-head screwdriver, lift the fuse holder cap from the housing.
3. Remove the blown fuse and replace with another fuse of the same type and rating (T 5 A).
4. Press the fuse holder cap back in place and reconnect power.

Make sure to disconnect the product's power cord before replacing a blown fuse. Always replace the blown fuse with another of the same type and rating.

Power Linking

You can link 10 Fixtures @ 110V and 20 fixtures @ 220V. This is for charging only.

DMX Personalities

- The **Penta V9 Battery Wireless** uses a 3-pin DMX data connection for the 6 or 11 channel DMX personalities.
- Refer to the Introduction chapter for a brief description of each DMX personality.
- Refer to the Operation chapter to learn how to configure the **Penta V9 Battery Wireless** to work in these personalities.
- The DMX Values section provides you with detailed information regarding the DMX personalities

If you are not familiar with or need more information about DMX standards, Master/Slave connectivity, or the DMX cables needed to link this product to a DMX controller, download the DMX Handbook from the Rasha website: www.rashaprofessional.com

Before mounting this product, read and follow the Safety Notes. For our Rasha® Professional line of mounting clamps, go to <http://rashaprofessional.com/en/accesories>

Orientation

Always mount this product in a safe position and make sure there is adequate room for ventilation, configuration, and maintenance

Rasha recommends using the following general guidelines when mounting this product.

Rigging

- When selecting an installation location, consider easy access to this product for operation, programming adjustments, and routine maintenance.
- Make sure to mount this product away from any flammable material as indicated in the Safety Notes.
- Never mount in places where rain, high humidity, extreme temperature changes, or restricted ventilation may affect the product.
- If hanging this product, make sure that the mounting location can support the product's weight. See the Technical Specifications for the weight-bearing requirements of this product.
- When hanging this product, always secure to a fastening device using a safety cable.

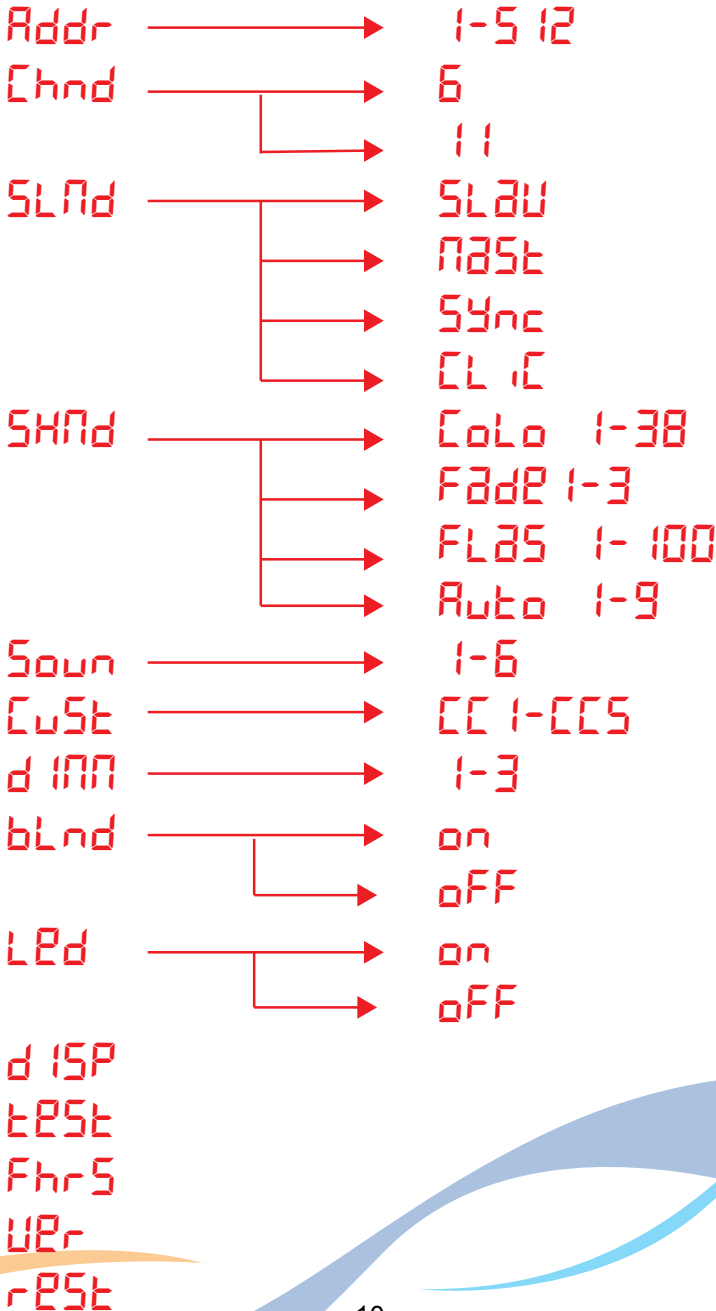
Procedures

The **Penta V9 Battery Wireless** comes with a preinstalled mounting surface to which you will be able to attach most of our clamps found at www.rashaprofessional.com/en/accesories. Make sure the clamps are capable of supporting the weight of this product. Use at least 1 mounting point per product. In addition, use a safety cable to link the product to the structure.

MENU MAP



RASHA Professional



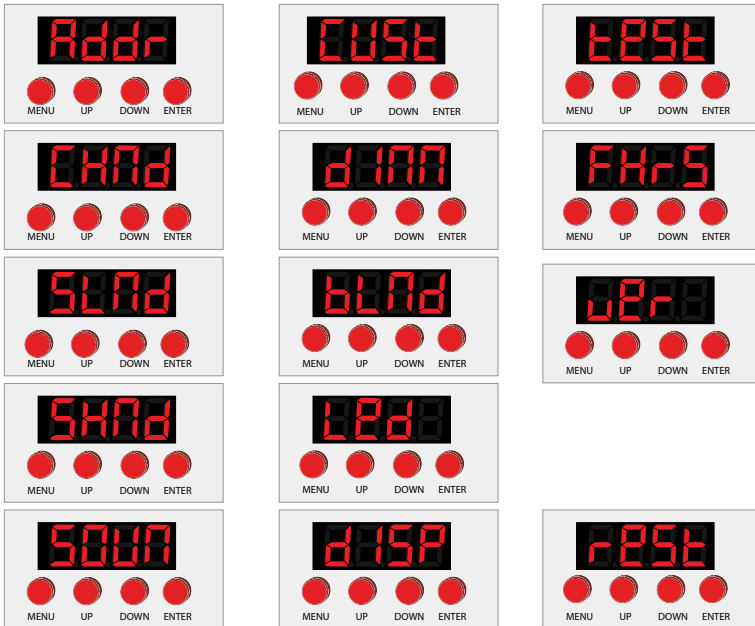
1. Intro

The light panel diagram show as below, The Display support Display & operation just like any analong menu in todays market, Touching the appropriate buttons will set or modify setting.

2. Operation

1. Operate light with touch or encoder button

- Top Left Sets your Fixtures Address
- Top Center Displays your Fixures Modes of operation
- Top Right Displays Test Mode
- Bottom Left Displays options for Display, (i.e. Screen Rotation)
- Bottom Center displays Advanced option for Fixture.
- Bottom Left displays current mode, DMX address, Fixture Information.



2. Parameter value setting

Press MENU to navigate menu

- press <UP> or <DOWN> to scroll to correct setting. Touch <Enter> to enter sub menu.
- Set and save value. Touch <ENTER> submenu.

3. Sub-Menu

- Select desired sub menu from main menu to enter corresponding sub menu shown below. There is a total of 14 menu programs, including class of parameter and status:
 - Addr - Select DMX address
 - Chnd - Select DMX Channels 6/11
 - Slnd - Select Enable Slave, Master, Sync or IR mode
 - Shnd
 - Select color presets
 - Fade speed
 - Flash speed
 - Auto speed
 - Soun - Select sensitivity
 - Cust - Set values for up to 5 custom Color
 - Dinn - Dimmer
 - Blnd - Black out
 - LED - Turn off LED display
 - Disp - Invert Display
 - Test - Test Mode
 - Fhrs - Fixture Hours
 - Ver - Firmware Version
 - Rest - Rest all values to Factory Settings

6 CH Mode

Channel	Value	Description
CH1	0	No action
	1-255	Red (Intensity 0 to 100%)
CH2	0	No action
	1-255	Green (Intensity 0 to 100%)
CH3	0	No action
	1-255	Blue (Intensity 0 to 100%)
CH4	0	No action
	1-255	Amber(Intensity 0 to 100%)
CH5	0	No action
	1-255	White (Intensity 0 to 100%) 5 0
CH6	0	No Action
	1-255	Strobe speed 0-99



If working in 6 Channel mode make sure that DMX faders 6 are to at full 255 and 1-5 are your colors.

11 CH Mode

Channel	Value	Description
CH1	0	No action(blackout)
	1 - 255	Red 0-100%
CH2	0	No action (blackout)
	1 - 255	Green 0-100%
CH3	0	No action (blackout)
	1 - 255	Blue 0-100%
CH4	0	No action (blackout)
	1 - 255	Amber 0-100%
CH5	0	No action (blackout)
	1 - 255	White 0-100%
	0 - 7	Off
	8 - 15	Color 1
	16 - 23	Color 2
	24 - 30	Color 3
	31 - 38	Color 4
	39 - 46	Color 5
	47 - 54	Color 6
	55 - 61	Color 7
	62 - 69	Color 8
	70 - 77	Color 9
	78 - 85	Color 10
	86 - 92	Color 11
	93 - 100	Color 12
	101 - 108	Color 13
	109 - 116	Color 14
	117 - 123	Color 15
	124 - 131	Color 16
	132 - 139	Color 17
140 - 147	Color 18	

	148 - 154	Color 19
	155 - 162	Color 20
	163 - 170	Color 21
	171 - 178	Color 22
	179 - 185	Color 23
	186 - 193	Color 24
	194 - 201	Color 25
	202 - 209	Color 26
	210 - 216	Color 27
	217 - 224	Color 28
	225 - 232	Color 29
	233 - 240	Color 30
	241 - 247	Color 31
	248 - 255	Color 32
7	0 - 255	Master Dimmer Intency 0-100%
8	Strobe	
	0 - 7	Off
	16-131	Open
	132-139	Strobe - slow-fast
	140-181	Open
	182-189	Pulse - fast close & slow open
	190-231	Open
	232-239	Pulse - slow close & fast open
	240-247	Open
	248-255	Random strobe
	248 - 255	Open
9	0 - 255	RGBAW slow to fast random color change
10	0 - 255	Auto color change slow to fast without strobe
11	0 - 255	Auto color change with strobe along with sound



If working in 11 Channel mode make sure that DMX faders 7 & 8 are set to full 255 and 1-5 are your colors.

SPECIFICATIONS

PHYSICAL

Weight :	7.7 Lbs
Dimensions	200 x 90 x 200 mm (7.8 x 2.3 x 7.8 in.)

DYNAMIC EFFECTS

Color mixing	RGBAW
Color selection	34 color presets
Electronic dimming	0-100%
Strobe and pulse effects	Variable speed and action, random strobe
Electronic dimmer effect	Instant open and blackout

OPTICS

Light source	9 x 15 W RGBAW LED Chips
LEDs Beam angle	25/40° Minimum
LED lifetime	50,000 hours (to >70% luminous output)*
LED	Manufacturer's figure obtained under manufacturer's test conditions

CONTROL AND PROGRAMMING

Control options	DMX, stand-alone Sound active, Auto, Static Mode,
DMX channels	6/11
Remote type	Superior IR Technology
Stand-alone trigger options	Music trig, auto trig, Linkable
Standalone built-in shows	Random, preset colors, or variable fade
Settings, addressing and programming	Control panel with LED display
Sound activation	Adjustable microphone sensitivity
DMX compliance	USITT DMX512 or DMX 512 Universal
Wireless DMX Transmitter compliance	Universal DMX 512 GHz

CONSTRUCTION

Color	Black/White
Protection rating	IP20

INSTALLATION

Mounting	Adjustable folding bracket,
Orientation	Any
Location	For indoor use only

APPROVALS

EU safety	EN 60598-1, EN 60598-2-1, I EC/EN 60825-1
EU EMC	EN 55103-1, EN 55103-2, EN 61000-3-2
Canadian safety (US model)	CAN/CSA C.22.2 No. 250

CONNECTIONS

AC power in/thru	IEC to Edison
DMX data in/thru	3-pin locking XLR
Wireless DMX Receiver	2.4 GHz DMX Signal receiver

ELECTRICAL

AC power	100-240 V, 50/60 Hz
Power consumption	100 W
Fuse	T 5 A
Built in Battery	14000 mAh lion lithium
Battery charger	2A
Charging time	3 hours

THERMAL

Maximum ambient temperature (Ta max.)	50° C (122° F)
Minimum ambient temperature (Ta min)	0° C (32° F)
Cooling	2 low noise fan
Heat control	Aluminum Heating pan installed

ACCESSORIES (SOLD SEPARATELY)

3M US Power cable	P/N 890113
Safety Wire	P/N 890110
3-pin male XLR connector 5M	P/N 890103
6 in 1 Charging Road Case	P/N 901306

ORDERING INFORMATION

C5V9BW, Natural packing	P/N 819110
6 in 1 Charging Road case	P/N 819192

RETURNS



You must send the product prepaid, in the original box, and with the original packing and accessories. Rasha Professional will not issue call tags.

Visit www.rashaprofessional.com to log into your account and request a Return Merchandise Authorization (RMA) number before shipping the product. Be prepared to provide the model number, your order number, serial number, and a brief description of the Claim(s) for the return.

Clearly label the package with an RMA number. Rasha will refuse any product returned without an RMA number.

DO NOT write the RMA number directly on the box. Instead, write it on a properly affixed label.

Once you have received the RMA number, include the following information on a piece of paper inside the box:

- Your name
- Your address
- Your phone number
- The RMA number
- A brief description of the problem(s).

Be sure to pack the product properly. Any shipping damage resulting from inadequate packaging will be the customer's responsibility.

Double-boxing is recommended. Rasha reserves the right to use its own discretion to repair or replace returned product(s).

CONTACT US



WORLD HEADQUARTERS - RASHA GENERAL INFORMATION
ADDRESS: NO 501 FENGHUANG INDUSTRIAL ZONE, SANDONG
AVENUE, HUADU DISTRICT, GUANGZHOU, CHINA
VOICE: (00866) 020- 37726213

Technical Support
Email: Support@rashaprofessional.com

www.rashaprofessional.com | www.rashalight.com
UNITED STATES – Rasha Professional A/S LLC.
General Information

California
Address: 1800 Rustin Ave., Riverside CA 92507
Voice: +1 (951) 654 3585

Outside the U.S. contact the dealer of record. Follow their instructions to request support or to return a product. Visit our website for contact details.

Color Chart Reference

	Value	Description
	0-7	No action (blackout)
1		
2		
3		
4		
5		
6		
7		
8		
9		
10		
11		
12		
13		
14		
15		
16		
17		
18		
19		
20		
21		

Color Chart Cont.

	Value	Description
22		
23		
24		
25		
26		
27		
28		
29		
30		
31		
32		
33		
34		
35		
36		
37		
38		

